

NOTES:

1. TORQUE RATINGS, Nm :

PART NUMBER	SYMMETRIC TORQUE
QM10B-1038-00	0.0
QM10B-1038-09	0.9
QM10B-1038-14	1.4
QM10B-1038-18	1.8
QM10B-1038-23	2.3
QM10B-1038-27	2.7

PART NUMBER	ASYMMETRIC CW TORQUE	ASYMMETRIC CCW TORQUE
QM10B-2038-14	1.4	0.9
QM10B-2038-18	1.8	1.2
QM10B-2038-23	2.3	1.5
QM10B-2038-27	2.7	1.8
QM10B-2038-34	3.4	2.3
QM10B-3038-14	0.9	1.4
QM10B-3038-18	1.2	1.8
QM10B-3038-23	1.5	2.3
QM10B-3038-27	1.8	2.7
QM10B-3038-34	2.3	3.4

2. CYCLE LIFE:  
WITHIN 25,000 CYCLES STATIC TORQUE STAY WITHIN ±20% OF TORQUE SPECIFICATION.

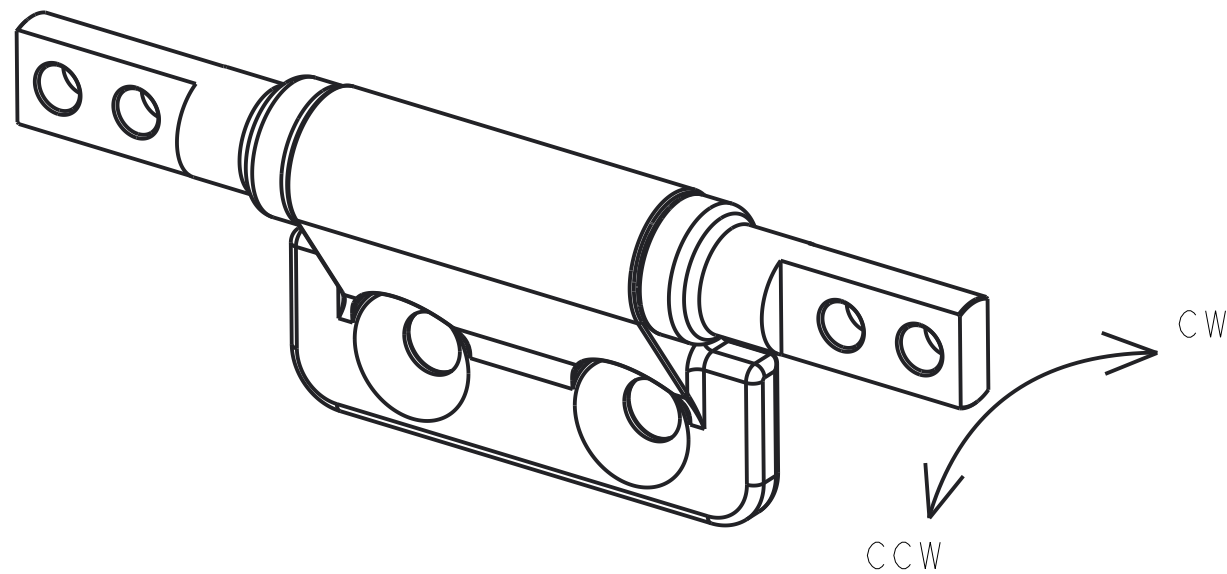
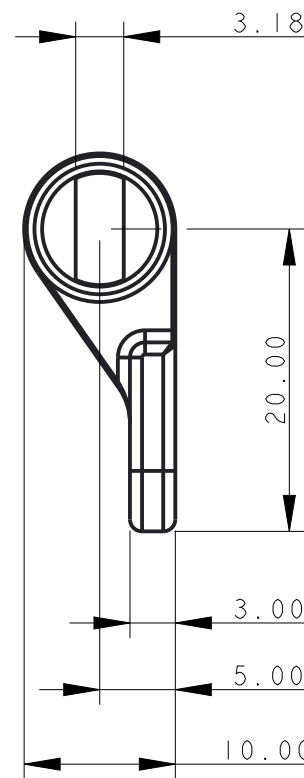
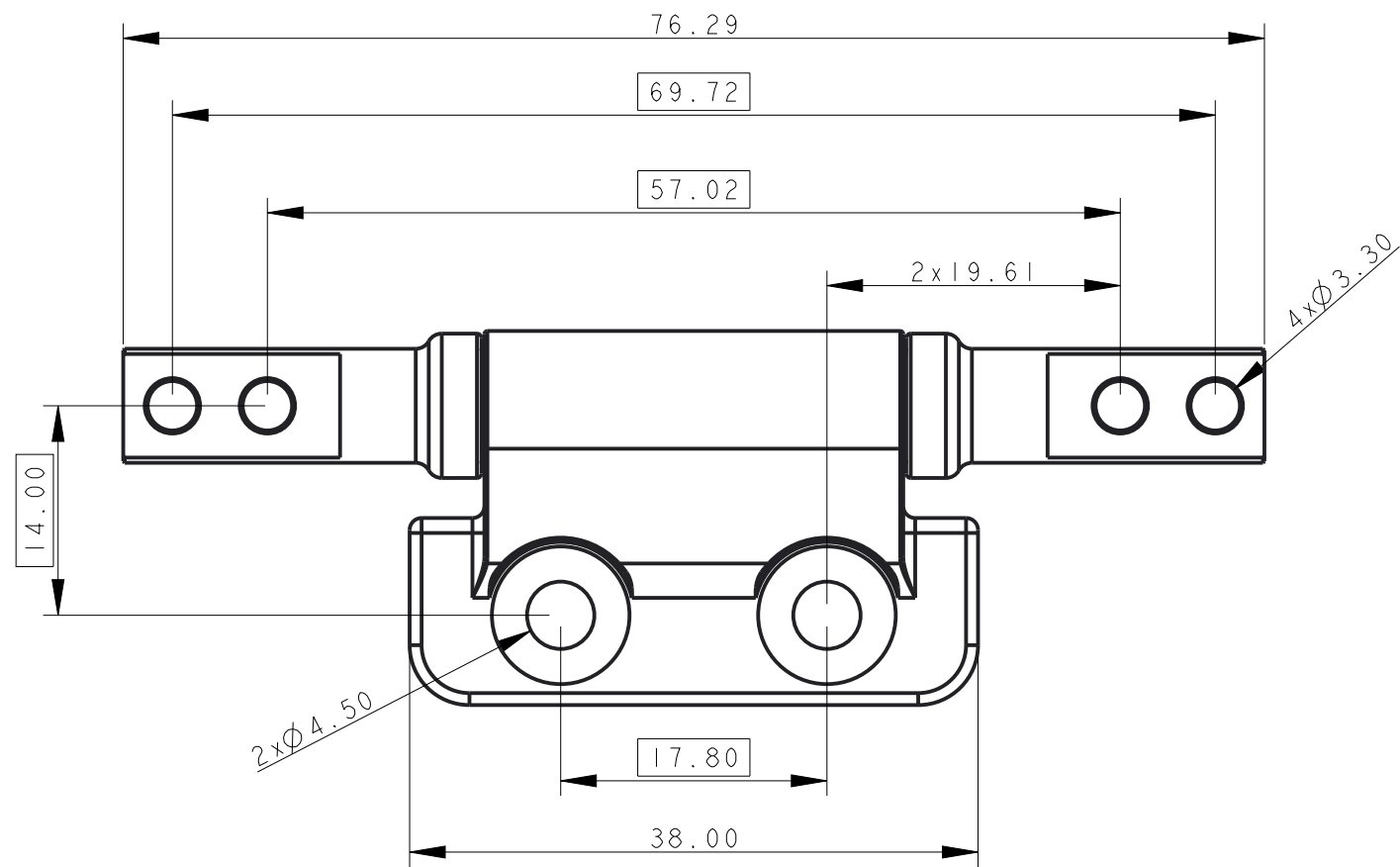
3. FINISH:  
A. NATURE B. BLACK PAINT

4. 360 DEGREE SHAFT ROTATION

5. OIL RING SEALS FOR PROTECTION AGAINST ENVIRONMENT CONTAMINATION

6. MATERIAL:  
ZINC ALLOY, STEEL, GREASE AND O-RING

<b>METRIC(MM)</b> 0-3< ±0.15 3-10< ±0.20 10-30< ±0.25 30-50< ±0.30 50-100< ±0.40 100-200< ±0.50	<b>[ENGLISH] (IN)</b> 0-0.118<±0.006 0.118-0.394<±0.008 0.394-1.181<±0.010 1.181-2.000<±0.012 2.000-4.000<±0.016 4.000-8.000<±0.020	<b>LEECO</b>		<b>DWG NO.</b> QM10B-x038-xx	
		<b>APPROVED</b> JLIU		<b>DRAWN</b> BCHEN	
<b>PROPRIETY ITEM - ALL INFORMATION DISCLOSED HEREON IS CONFIDENTIAL AND ALL RIGHTS PATENT AND OTHERWISE ARE RESERVED BY LEECO TECHNOLOGIES CORPORATION</b>				<b>MATERIAL</b> SEE NOTES	
				<b>SHEET 1 OF 1</b>	<b>SCALE: 2.000</b>



NOTES:

1. TORQUE RATINGS, Nm :

PART NUMBER	SYMMETRIC TORQUE
QM10B-1100-00	0.0
QM10B-1100-09	0.9
QM10B-1100-14	1.4
QM10B-1100-18	1.8
QM10B-1100-23	2.3
QM10B-1100-27	2.7

PART NUMBER	ASYMMETRIC CW TORQUE	ASYMMETRIC CCW TORQUE
QM10B-2100-14	1.4	0.9
QM10B-2100-18	1.8	1.2
QM10B-2100-23	2.3	1.5
QM10B-2100-27	2.7	1.8
QM10B-2100-34	3.4	2.3
QM10B-3100-14	0.9	1.4
QM10B-3100-18	1.2	1.8
QM10B-3100-23	1.5	2.3
QM10B-3100-27	1.8	2.7
QM10B-3100-34	2.3	3.4

2. CYCLE LIFE:  
WITHIN 25,000 CYCLES STATIC TORQUE STAY WITHIN ±20% OF TORQUE SPECIFICATION.

3. FINISH:  
A. NATURE B. BLACK PAINT

4. 360 DEGREE SHAFT ROTATION

5. OIL RING SEALS FOR PROTECTION AGAINST ENVIRONMENT CONTAMINATION

6. MATERIAL:  
ZINC ALLOY, STEEL, GREASE AND O-RING

METRIC(MM)	[ENGLISH] (IN)
0-3 <math>\pm 0.15</math>	0-0.118 <math>\pm 0.006</math>
3-10 <math>\pm 0.20</math>	0.118-0.394 <math>\pm 0.008</math>
10-30 <math>\pm 0.25</math>	0.394-1.181 <math>\pm 0.010</math>
30-50 <math>\pm 0.30</math>	1.181-2.000 <math>\pm 0.012</math>
50-100 <math>\pm 0.40</math>	2.000-4.000 <math>\pm 0.016</math>
100-200 <math>\pm 0.50</math>	4.000-8.000 <math>\pm 0.020</math>

PROPRIETY ITEM - ALL INFORMATION DISCLOSED HEREON IS CONFIDENTIAL AND ALL RIGHTS PATENT AND OTHERWISE ARE RESERVED BY LEECO TECHNOLOGIES CORPORATION

**LEECO**

APPROVED  
JLIU

DRAWN  
BCHEN

SHEET 1 OF 1

SCALE: 2.000

DWG NO.

QM10B-x100-xx

TITLE

QM10B

MATERIAL

SEE NOTES

REV

A3

