

NOTES:

1. TORQUE RATINGS, Nm:

PART NUMBER	SYMMETRIC TORQUE
QM12B-1050-00	0.0
QM12B-1050-09	0.9
QM12B-1050-18	1.8
QM12B-1050-23	2.3
QM12B-1050-34	3.4

PART NUMBER	ASYMMETRIC CW TORQUE	ASYMMETRIC CCW TORQUE
QM12B-2050-23	2.3	1.5
QM12B-2050-34	3.4	2.3
QM12B-2050-41	4.1	2.7
QM12B-3050-23	1.5	2.3
QM12B-3050-34	2.3	3.4
QM12B-3050-41	2.7	4.1

2. CYCLE LIFE:

WITHIN 25,000 CYCLES STATIC TORQUE STAY WITHIN  $\pm 20\%$  OF TORQUE SPECIFICATION.

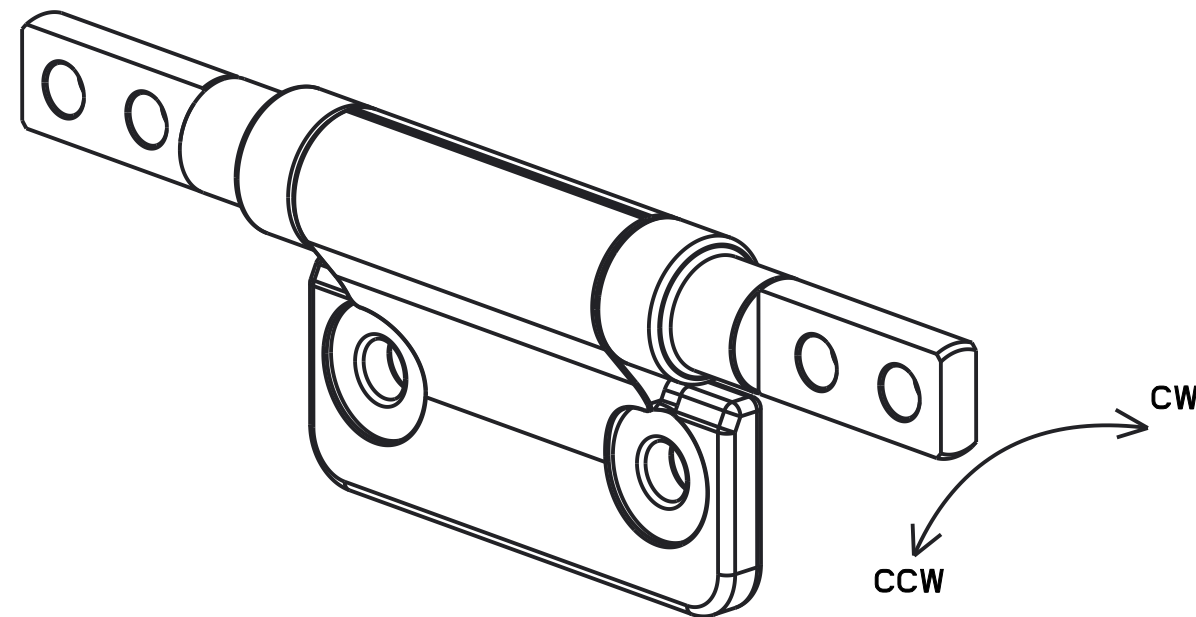
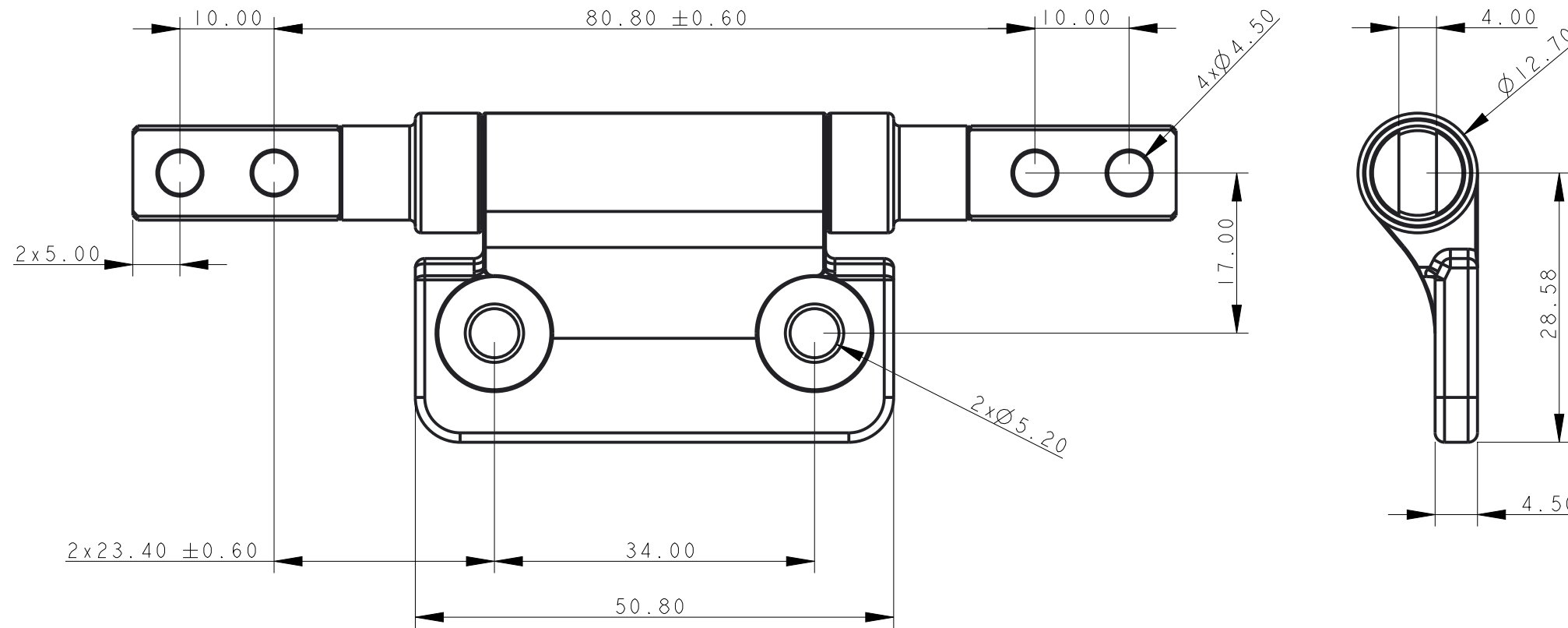
3. FINISH: NATURE AND PLATING

4. 360 DEGREE SHAFT ROTATION

5. OIL RING SEALS FOR PROTECTION AGAINST ENVIRONMENT CONTAMINATION

6. MATERIAL:

ZINC ALLOY, STEEL, GREASE AND O-RING



METRIC(MM)	[ENGLISH] (IN)	<b>LEEEO</b>		DWG NO.	
0-3 <math>\pm 0.15</math>	0-0.118 <math>\pm 0.006</math>			<b>QM12B-x050-xx</b>	
3-10 <math>\pm 0.20</math>	0.118-0.394 <math>\pm 0.008</math>			<b>QM12B</b>	
10-30 <math>\pm 0.25</math>	0.394-1.181 <math>\pm 0.010</math>				
30-50 <math>\pm 0.30</math>	1.181-2.000 <math>\pm 0.012</math>				
50-100 <math>\pm 0.40</math>	2.000-4.000 <math>\pm 0.016</math>				
100-200 <math>\pm 0.50</math>	4.000-8.000 <math>\pm 0.020</math>				
<b>PROPRIETY ITEM - ALL INFORMATION DISCLOSED HEREON IS CONFIDENTIAL AND ALL RIGHTS PATENT AND OTHERWISE ARE RESERVED BY LEEEO TECHNOLOGIES CORPORATION</b>		APPROVED	DRAWN	<b>MATERIAL</b> <b>STEEL &amp; ZINC</b>	
		DJU	JLIU		
		SHEET 1 OF 1		SCALE: 1.600	

