

NOTES:

1. TORQUE RATINGS, Nm :

PART NUMBER	SYMMETRIC TORQUE
QM7A-1024-02L	0.2
QM7A-1024-05L	0.5
QM7A-1024-07L	0.7
QM7A-1024-09L	0.9

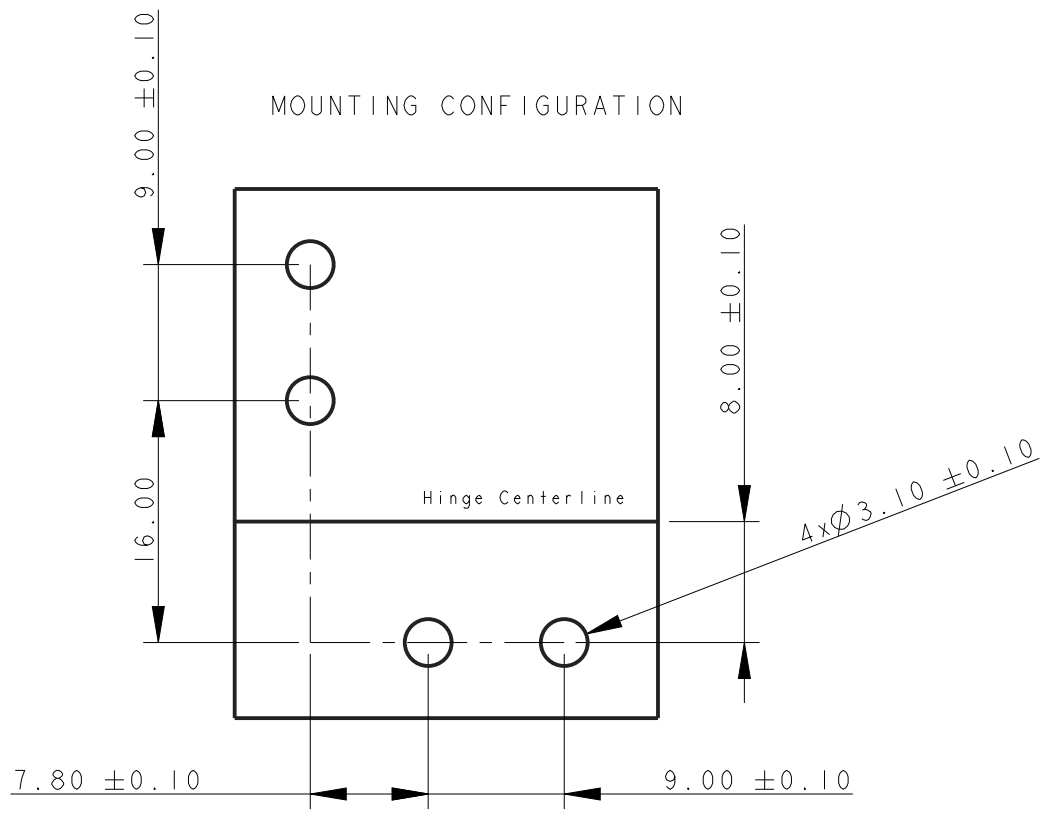
PART NUMBER	ASYMMETRIC CW TORQUE	ASYMMETRIC CCW TORQUE
QM7A-2024-07L	0.7	0.4
QM7A-2024-09L	0.9	0.55
QM7A-2024-11L	1.1	0.7
QM7A-3024-07L	0.4	0.7
QM7A-3024-09L	0.55	0.9
QM7A-3024-11L	0.7	1.1

2. CYCLE LIFE:
WITHIN 25,000 CYCLES STATIC TORQUE STAY WITHIN ±20% OF TORQUE SPECIFICATION.

3. FINISH:
A. NATURE
BO. BLACK OXIDE
BP. BLACK PAINT

4. 360 DEGREE SHAFT ROTATION

5. MATERIAL:
ZINC ALLOY, STEEL AND GREASE



METRIC(MM)	[ENGLISH] (IN)
0-3 < ±0.15	0-0.118 < ±0.006
3-10 < ±0.20	0.118-0.394 < ±0.008
10-30 < ±0.25	0.394-1.181 < ±0.010
30-50 < ±0.30	1.181-2.000 < ±0.012
50-100 < ±0.40	2.000-4.000 < ±0.016
100-200 < ±0.50	4.000-8.000 < ±0.020

LEEEO

APPROVED
JLIU

DRAWN
BCHEN

DWG NO.
QM7A-x024-xxL

TITLE
QM7A LEFT

MATERIAL
SEE NOTES

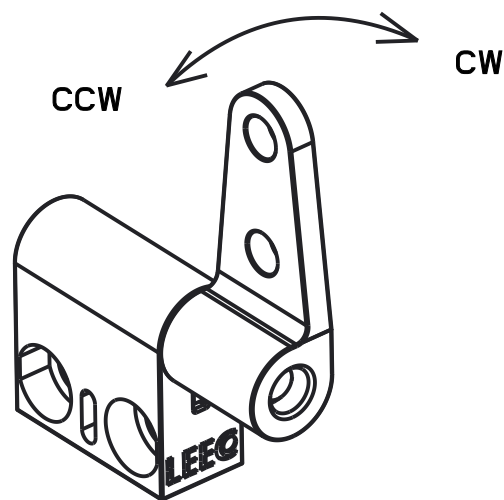
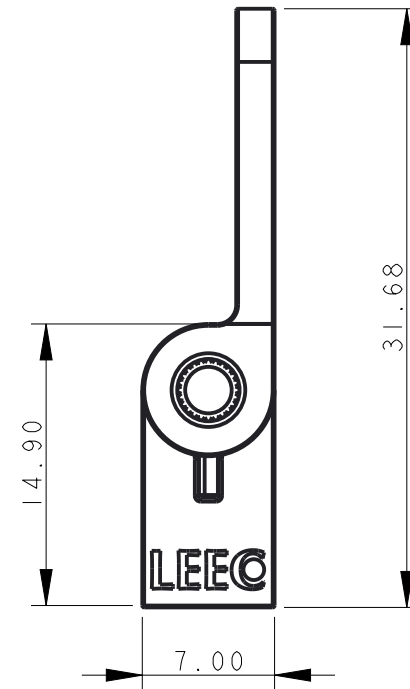
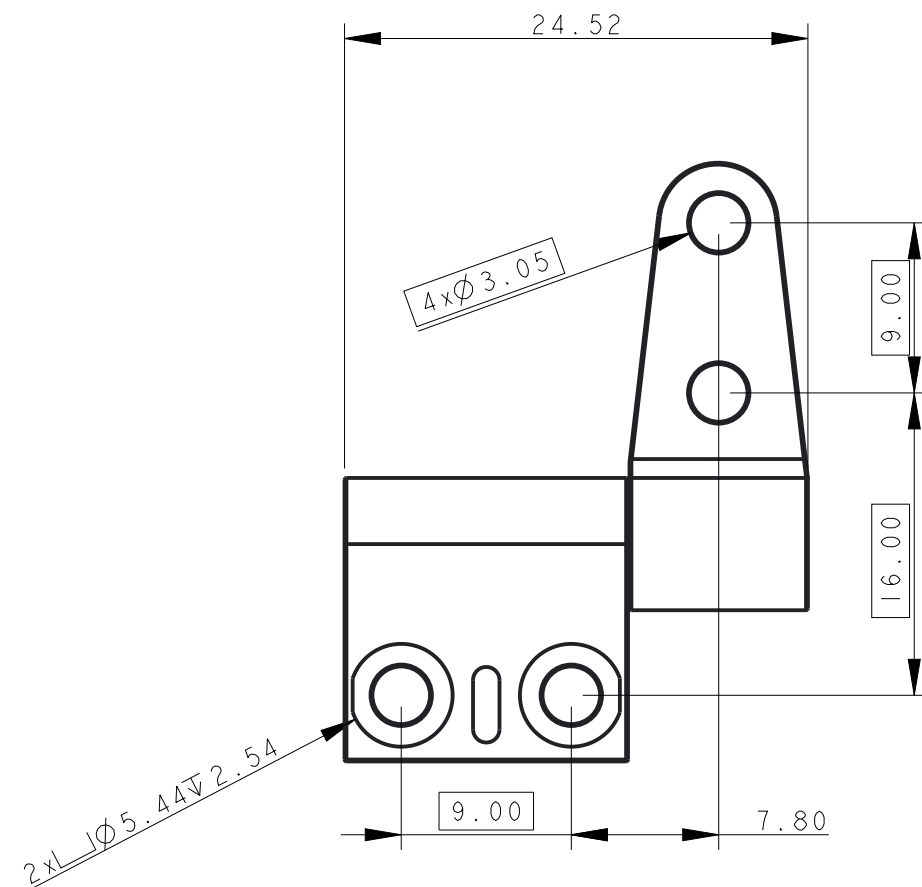
SHEET 1 OF 1

SCALE: 1.000

REV
A3

PROPRIETY ITEM - ALL INFORMATION DISCLOSED HEREON IS CONFIDENTIAL AND ALL RIGHTS PATENT AND OTHERWISE ARE RESERVED BY LEEEO TECHNOLOGIES CORPORATION





NOTES:

1. TORQUE RATINGS, Nm :

PART NUMBER	SYMMETRIC TORQUE
QM7A-1024-02R	0.2
QM7A-1024-05R	0.5
QM7A-1024-07R	0.7
QM7A-1024-09R	0.9

PART NUMBER	ASYMMETRIC CW TORQUE	ASYMMETRIC CCW TORQUE
QM7A-2024-07R	0.7	0.4
QM7A-2024-09R	0.9	0.55
QM7A-2024-11R	1.1	0.7
QM7A-3024-07R	0.4	0.7
QM7A-3024-09R	0.55	0.9
QM7A-3024-11R	0.7	1.1

2. CYCLE LIFE:
WITHIN 25,000 CYCLES STATIC TORQUE STAY WITHIN ±20% OF TORQUE SPECIFICATION.

3. FINISH:
A. NATURE
BO. BLACK OXIDE
BP. BLACK PAINT

4. 360 DEGREE SHAFT ROTATION

5. MATERIAL:
ZINC ALLOY, STEEL AND GREASE

METRIC(MM)	[ENGLISH] (IN)	LEEEO		DWG NO.	
0-3 < ±0.15	0-0.118 < ±0.006			QM7A-x024-xxR	
3-10 < ±0.20	0.118-0.394 < ±0.008	TITLE			
10-30 < ±0.25	0.394-1.181 < ±0.010	QM7A RIGHT			
30-50 < ±0.30	1.181-2.000 < ±0.012	APPROVED	DRAWN	MATERIAL	
50-100 < ±0.40	2.000-4.000 < ±0.016	JLIU	BCHEN	SEE NOTES	
100-200 < ±0.50	4.000-8.000 < ±0.020	SHEET 1 OF 1		SCALE: 1.000	REV
PROPRIETY ITEM - ALL INFORMATION DISCLOSED HEREON IS CONFIDENTIAL AND ALL RIGHTS PATENT AND OTHERWISE ARE RESERVED BY LEEEO TECHNOLOGIES CORPORATION				A3	