

NOTES:

1. TORQUE RATINGS, Nm :

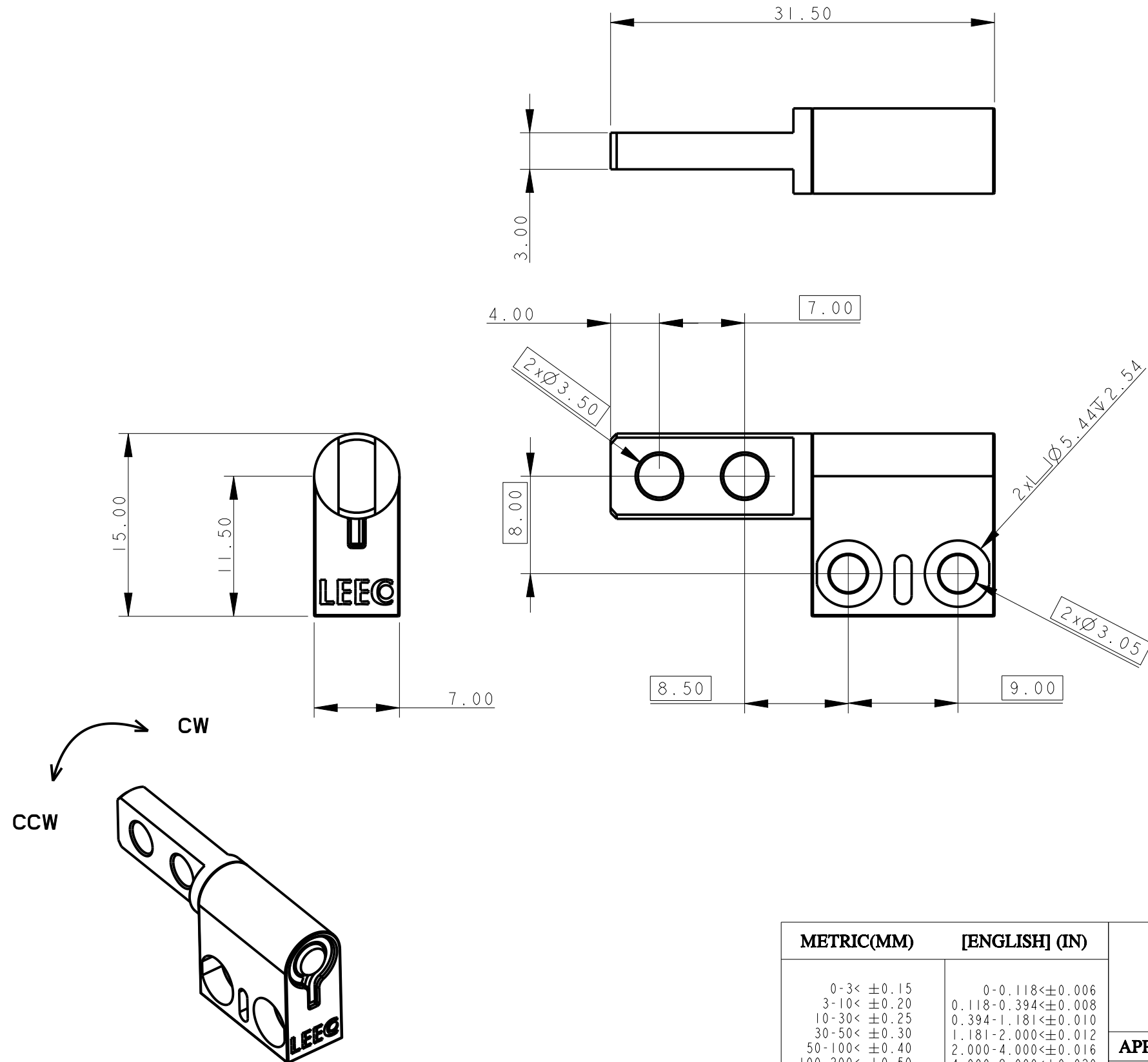
PART NUMBER	SYMMETRIC TORQUE
QM7B-1031-02L	0.2
QM7B-1031-05L	0.5
QM7B-1031-07L	0.7
QM7B-1031-09L	0.9

PART NUMBER	ASYMMETRIC CW TORQUE	ASYMMETRIC CCW TORQUE
QM7B-2031-07L	0.7	0.4
QM7B-2031-09L	0.9	0.55
QM7B-2031-11L	1.1	0.7
QM7B-3031-07L	0.4	0.7
QM7B-3031-09L	0.55	0.9
QM7B-3031-11L	0.7	1.1

2. CYCLE LIFE:
WITHIN 25,000 CYCLES STATIC TORQUE STAY WITHIN ±20% OF TORQUE SPECIFICATION.

3. FINISH: NATURE

4. 360 DEGREE SHAFT ROTATION



METRIC(MM)	[ENGLISH] (IN)	LEEEO		DWG NO.		
0-3 < ±0.15	0-0.118 < ±0.006			QM7B-x031-xxL		
3-10 < ±0.20	0.118-0.394 < ±0.008	TITLE			QM7B LEFT	
10-30 < ±0.25	0.394-1.181 < ±0.010	MATERIAL			STEEL & ZINC	
30-50 < ±0.30	1.181-2.000 < ±0.012	APPROVED	DRAWN	REV		
50-100 < ±0.40	2.000-4.000 < ±0.016	JLIU	BCHEN	A3	☉ □	
100-200 < ±0.50	4.000-8.000 < ±0.020	SHEET 1 OF 1		SCALE: 2.000		
PROPRIETY ITEM - ALL INFORMATION DISCLOSED HEREON IS CONFIDENTIAL AND ALL RIGHTS PATENT AND OTHERWISE ARE RESERVED BY LEEEO TECHNOLOGIES CORPORATION						

NOTES:

1. TORQUE RATINGS, Nm :

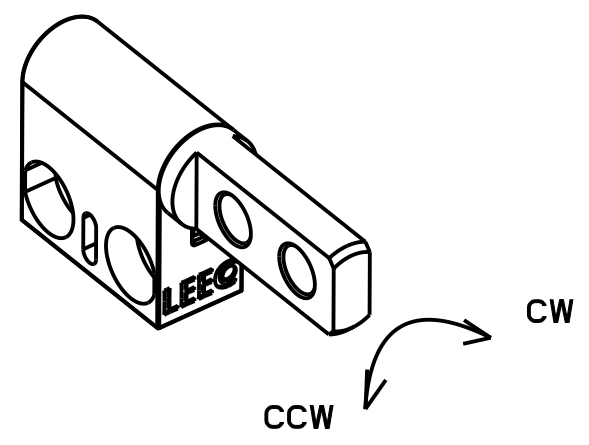
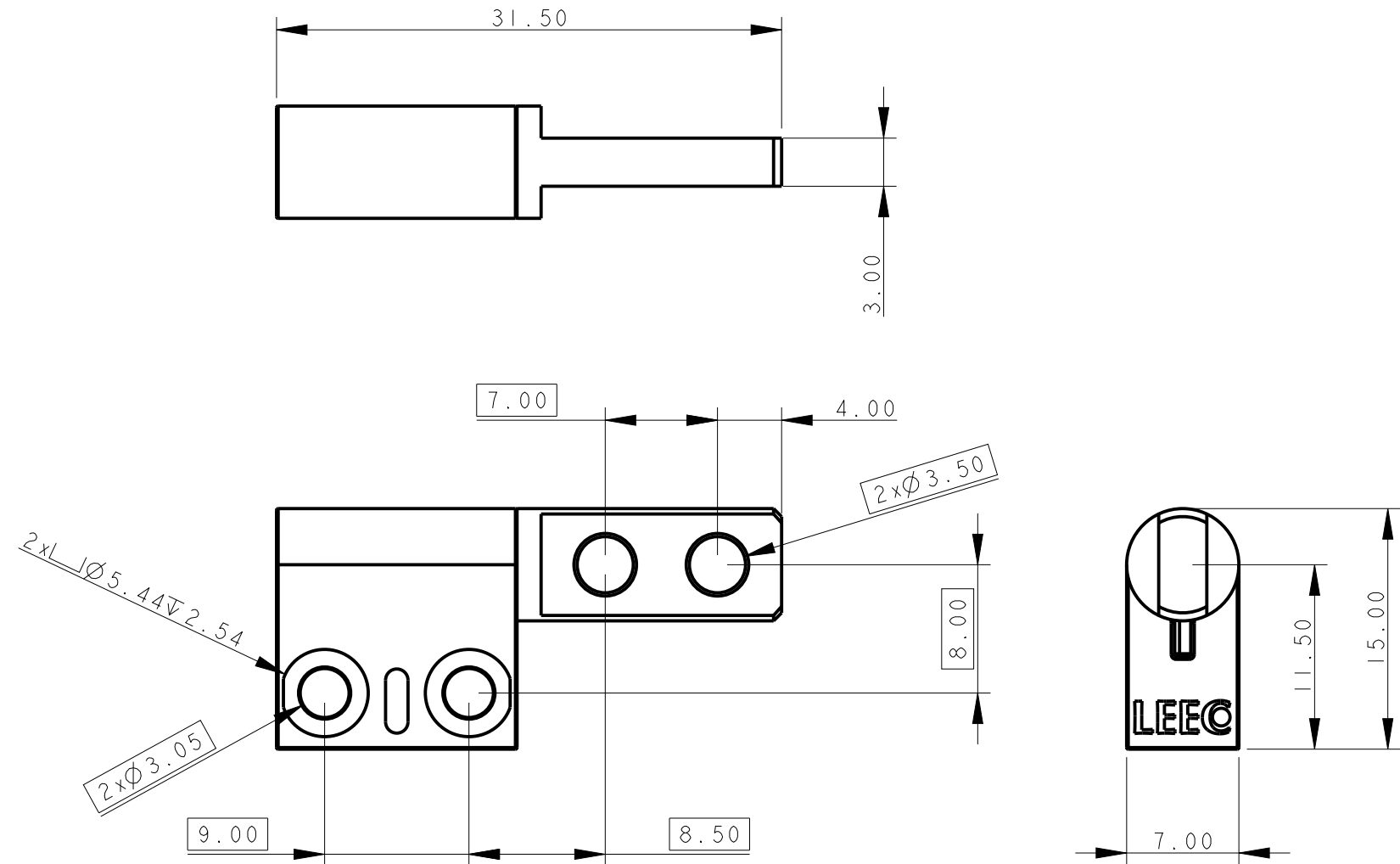
PART NUMBER	SYMMETRIC TORQUE
QM7B-1031-02R	0.2
QM7B-1031-05R	0.5
QM7B-1031-07R	0.7
QM7B-1031-09R	0.9

PART NUMBER	ASYMMETRIC CW TORQUE	ASYMMETRIC CCW TORQUE
QM7B-2031-07R	0.7	0.4
QM7B-2031-09R	0.9	0.55
QM7B-2031-11R	1.1	0.7
QM7B-3031-07R	0.4	0.7
QM7B-3031-09R	0.55	0.9
QM7B-3031-11R	0.7	1.1

2. CYCLE LIFE:
WITHIN 25,000 CYCLES STATIC TORQUE STAY WITHIN ±20% OF TORQUE SPECIFICATION.

3. FINISH: NATURE

4. 360 DEGREE SHAFT ROTATION



METRIC(MM)	[ENGLISH] (IN)	LEECO		DWG NO.		
0-3 < ±0.15 3-10 < ±0.20 10-30 < ±0.25 30-50 < ±0.30 50-100 < ±0.40 100-200 < ±0.50	0-0.118 < ±0.006 0.118-0.394 < ±0.008 0.394-1.181 < ±0.010 1.181-2.000 < ±0.012 2.000-4.000 < ±0.016 4.000-8.000 < ±0.020			QM7B-x031-xxR		
<small>PROPRIETY ITEM - ALL INFORMATION DISCLOSED HEREON IS CONFIDENTIAL AND ALL RIGHTS PATENT AND OTHERWISE ARE RESERVED BY LEECO TECHNOLOGIES CORPORATION</small>		APPROVED	DRAWN	MATERIAL		
		JLIU	BCHEN			
<small>PROPRIETY ITEM - ALL INFORMATION DISCLOSED HEREON IS CONFIDENTIAL AND ALL RIGHTS PATENT AND OTHERWISE ARE RESERVED BY LEECO TECHNOLOGIES CORPORATION</small>		SHEET 1 OF 1		SCALE: 2.000		REV
						A3