

NOTES:

1. TORQUE RATINGS, Nm :

PART NUMBER	SYMMETRIC TORQUE
QM7D-1023-02L	0.2
QM7D-1023-05L	0.5
QM7D-1023-07L	0.7
QM7D-1023-09L	0.9

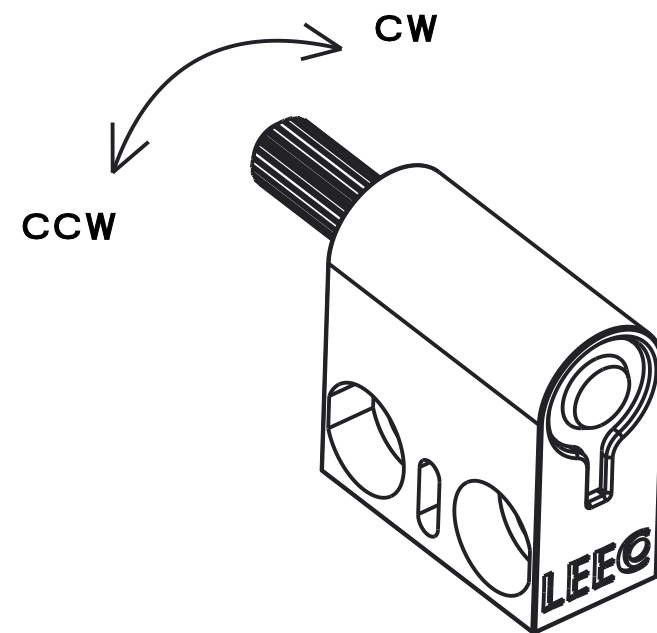
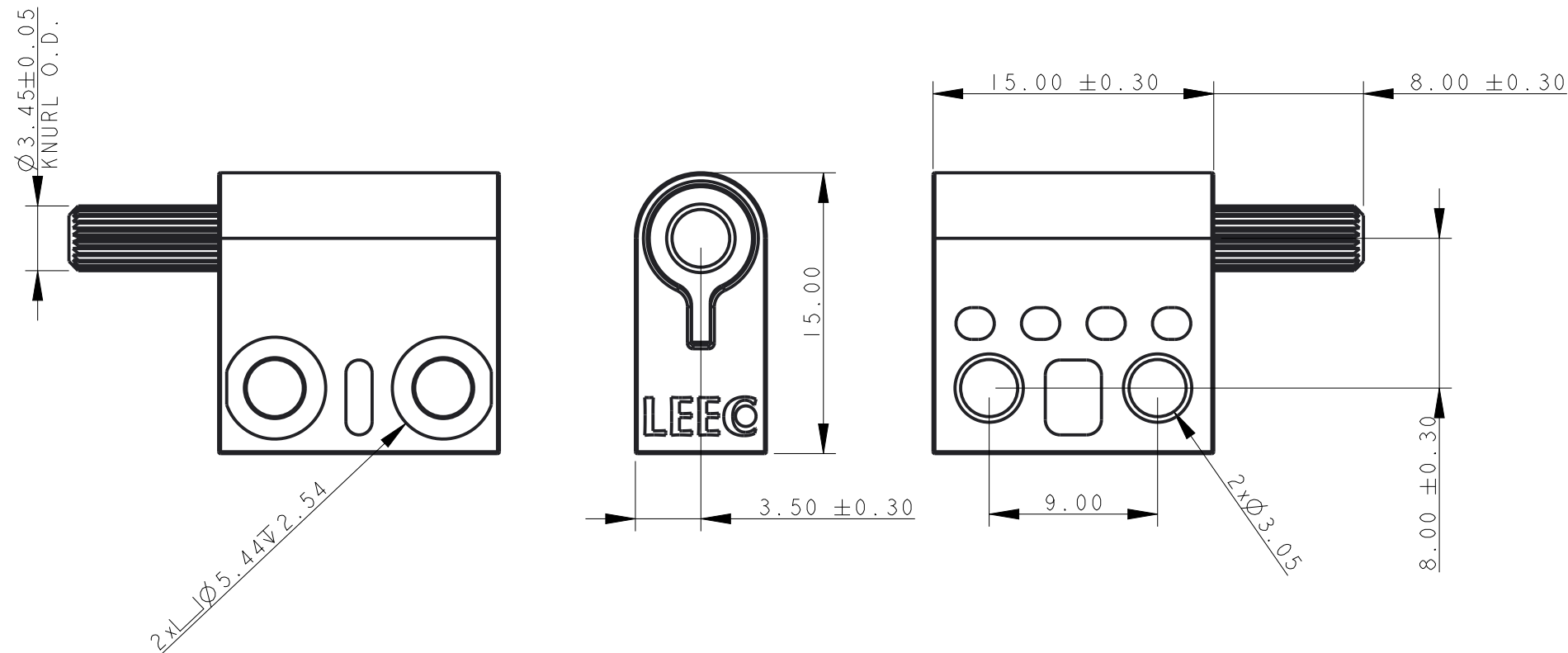
PART NUMBER	ASYMMETRIC CW TORQUE	ASYMMETRIC CCW TORQUE
QM7D-2023-07L	0.7	0.4
QM7D-2023-09L	0.9	0.55
QM7D-2023-11L	1.1	0.7
QM7D-3023-07L	0.4	0.7
QM7D-3023-09L	0.55	0.9
QM7D-3023-11L	0.7	1.1

2. CYCLE LIFE:

WITHIN 25,000 CYCLES STATIC TORQUE STAY WITHIN $\pm 20\%$ OF TORQUE SPECIFICATION.

3. FINISH: NATURE

4. 360 DEGREE SHAFT ROTATION



METRIC(MM)	[ENGLISH] (IN)	LEEEO		DWG NO.	
0-3 < ± 0.15	0-0.118 < ± 0.006			QM7D-x023-xxL	
3-10 < ± 0.20	0.118-0.394 < ± 0.008	TITLE			
10-30 < ± 0.25	0.394-1.181 < ± 0.010	APPROVED	DRAWN	QM7D LEFT	
30-50 < ± 0.30	1.181-2.000 < ± 0.012	JLIU	BCHEN		
50-100 < ± 0.40	2.000-4.000 < ± 0.016			STEEL & ZINC	
100-200 < ± 0.50	4.000-8.000 < ± 0.020				
<p>PROPRIETY ITEM - ALL INFORMATION DISCLOSED HEREON IS CONFIDENTIAL AND ALL RIGHTS PATENT AND OTHERWISE ARE RESERVED BY LEEEO TECHNOLOGIES CORPORATION</p>		SHEET 1 OF 1		SCALE: 3.000	REV
				A3	

NOTES:

1. TORQUE RATINGS, Nm :

PART NUMBER	SYMMETRIC TORQUE
QM7D-1023-02R	0.2
QM7D-1023-05R	0.5
QM7D-1023-07R	0.7
QM7D-1023-09R	0.9

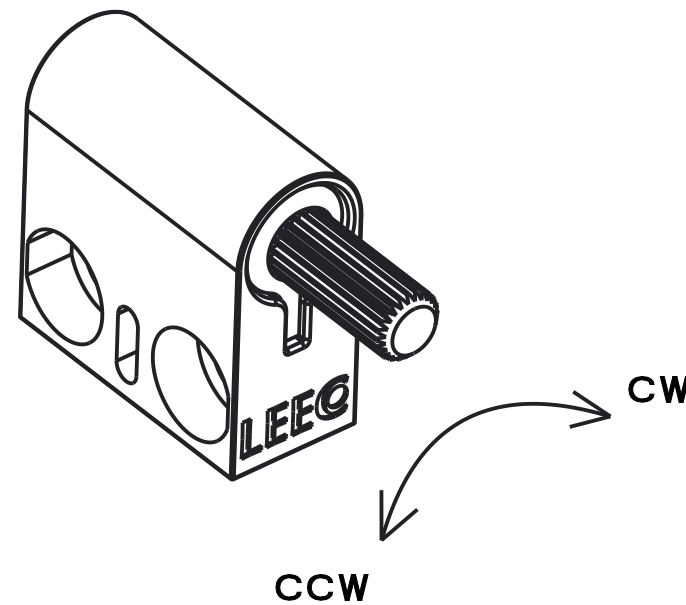
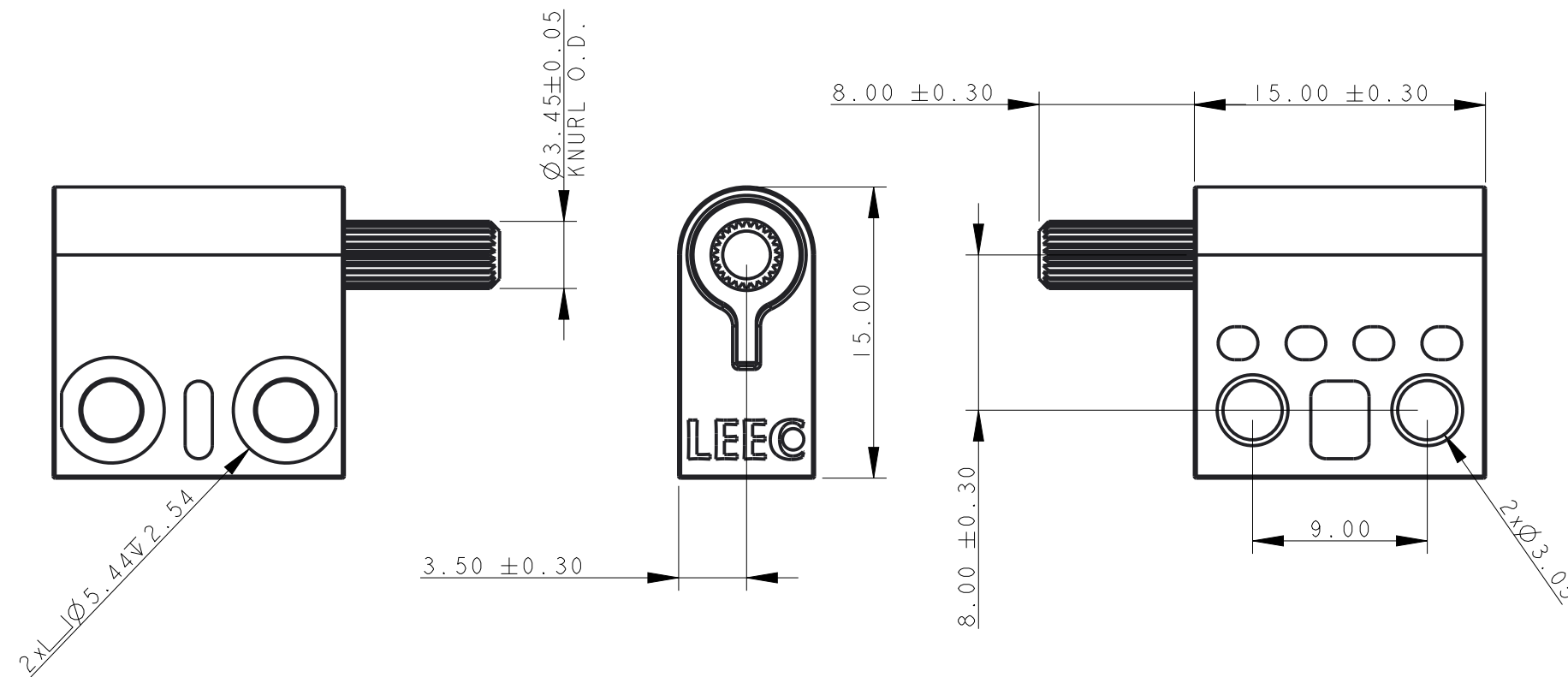
PART NUMBER	ASYMMETRIC CW TORQUE	ASYMMETRIC CCW TORQUE
QM7D-2023-07R	0.7	0.4
QM7D-2023-09R	0.9	0.55
QM7D-2023-11R	1.1	0.7
QM7D-3023-07R	0.4	0.7
QM7D-3023-09R	0.55	0.9
QM7D-3023-11R	0.7	1.1

2. CYCLE LIFE:

WITHIN 25,000 CYCLES STATIC TORQUE STAY WITHIN $\pm 20\%$ OF TORQUE SPECIFICATION.

3. FINISH: NATURE

4. 360 DEGREE SHAFT ROTATION



METRIC(MM)	[ENGLISH] (IN)	LEEEO		DWG NO.		
0-3 ± 0.15 3-10 ± 0.20 10-30 ± 0.25 30-50 ± 0.30 50-100 ± 0.40 100-200 ± 0.50	0-0.118 <math>< \pm 0.006</math> 0.118-0.394 <math>< \pm 0.008</math> 0.394-1.181 <math>< \pm 0.010</math> 1.181-2.000 <math>< \pm 0.012</math> 2.000-4.000 <math>< \pm 0.016</math> 4.000-8.000 <math>< \pm 0.020</math>			QM7D-x023-xxR		
<small>PROPRIETY ITEM - ALL INFORMATION DISCLOSED HEREON IS CONFIDENTIAL AND ALL RIGHTS PATENT AND OTHERWISE ARE RESERVED BY LEEEO TECHNOLOGIES CORPORATION</small>		APPROVED	DRAWN	QM7D RIGHT		
		JLIU	BCHEN			
<small>PROPRIETY ITEM - ALL INFORMATION DISCLOSED HEREON IS CONFIDENTIAL AND ALL RIGHTS PATENT AND OTHERWISE ARE RESERVED BY LEEEO TECHNOLOGIES CORPORATION</small>		SHEET 1 OF 1 SCALE: 3.000		STEEL & ZINC		
				REV	A3	